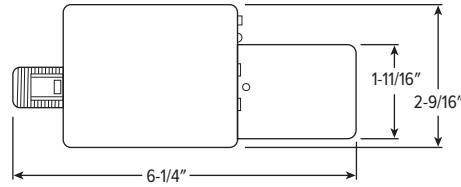


# PLUG LOAD CONTROL



CATALOG #: \_\_\_\_\_

Type: \_\_\_\_\_

PROJECT: \_\_\_\_\_

## ORDERING EXAMPLE: AVI-XPLC-20A

**AVI-XPLC-20A** Full 20A plug load rated zero cross relay and Avi-on module in a single, easy-to-install junction-mounted, plenum-rated package.

### FEATURES

- Easy regulatory compliance with Avi-on
- Non-volatile memory preserves device settings, including groups and schedules through power cycles
- Supports all major required control modes wirelessly: scheduled or sensor triggered operation (vacancy), building control or other network trigger

### SYSTEM REQUIREMENTS

- Avi-on wireless control
- Desktop & mobile apps

### SPECIFICATIONS

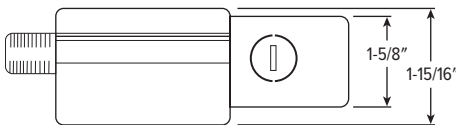
- ELECTRICAL – 120/277VAC 50/60Hz, 20A relay
- ENVIRONMENT – 57°F to 122°F ( 14°C to 50°C)
- LISTINGS –
  - UL 916
  - Plenum Rated (UL 2043)
  - Complies with Title 24, ASHRAE 90.1, Washington State, and New York State requirements for plug load controllers
  - The Avi-on Lighting Control Platform is a DesignLights Consortium® NLC qualified product



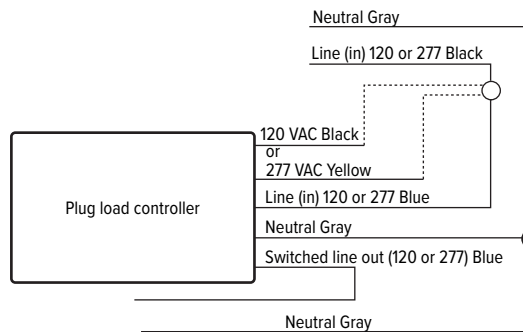
The Bluetooth® word mark and logos are registered trademarks owned by Bluetooth SIG, Inc. and any use of such marks by Avi-On is under license. Other trademarks and trade names are those of their respective owners.

## DETAILS

### TOP VIEW



### WIRING DIAGRAM



### WARNING

- This product must be installed in accordance with the applicable installation code by a person familiar with the construction and operation of the product and the hazards involved.
- Make sure all electrical power is turned off while installing.
- Must be adequately grounded for protection against shock hazards and to assure proper operation.
- Disconnect power before servicing.

