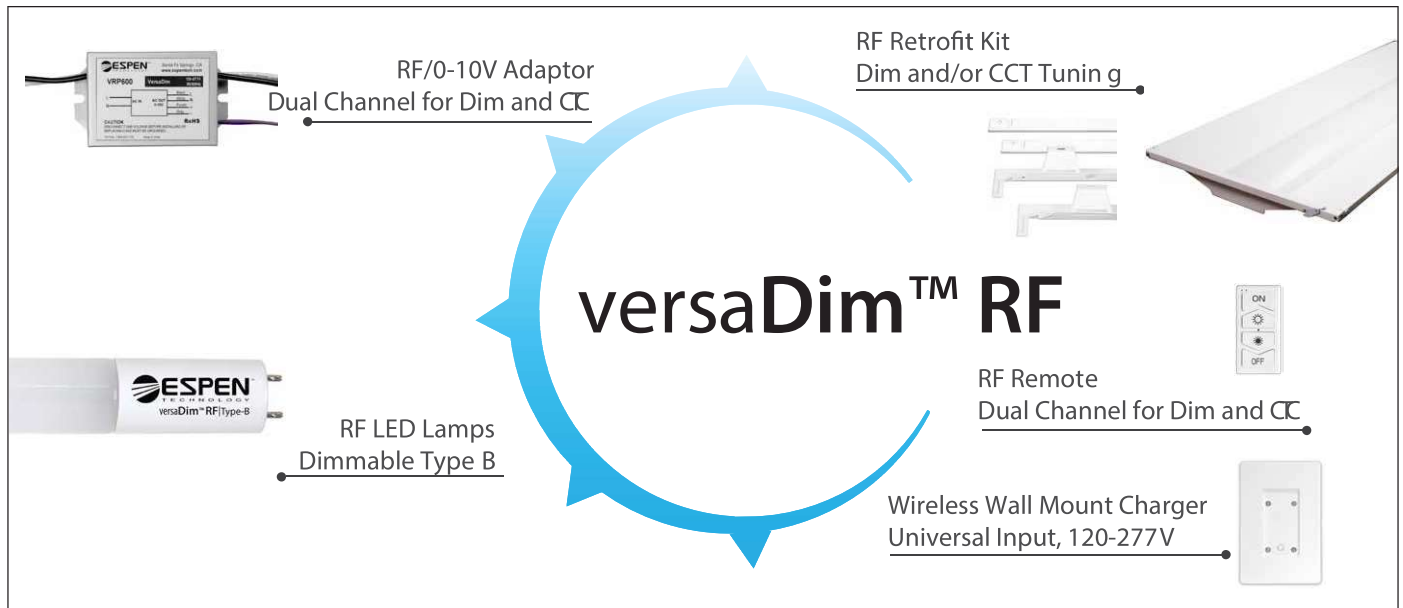


# Controls

## versaDim RF System



### FEATURES AND BENEFITS

- Dual Channel for Dimming and CCT Tuning
- Wall Mount Wireless Charger
- Adapter to Convert Current Fixtures to RF
- Dual Channel Drivers for New Fixtures
- Dimmable Type B Lamps
- Universal 120-277V Input
- Capable of Zoning Control
- Emergency Switch
- Highly Secure System
- UL Certified

### DESCRIPTION

Complete system of wirelessly controlled linear LED retrofit products, using a handheld remote control. Dims lights, changes color temperature, or turns lights on/off. Use with ballast bypass (Type B) TLEDs, an LED troffer retrofit kit, or 0-10V fixtures.

Avoids costly commissioning of most wireless systems dual channel for dimming. Wall mount wireless charger. Adapter to convert existing fixtures to RF control. Dual channel drivers for new fixtures. Zoning control capability.

# Controls

## versaDim RF Control System Charger & Remote



### FEATURES AND BENEFITS

- Dual Channel for Dimming
- Wall mount wireless charger
- Adapter to convert current fixtures to RF
- Dual channel drivers for new fixtures
- Dimmable Type B lamps
- Universal 120-277V input
- Capable of zoning control
- Emergency switch
- Highly secure system
- UL certified

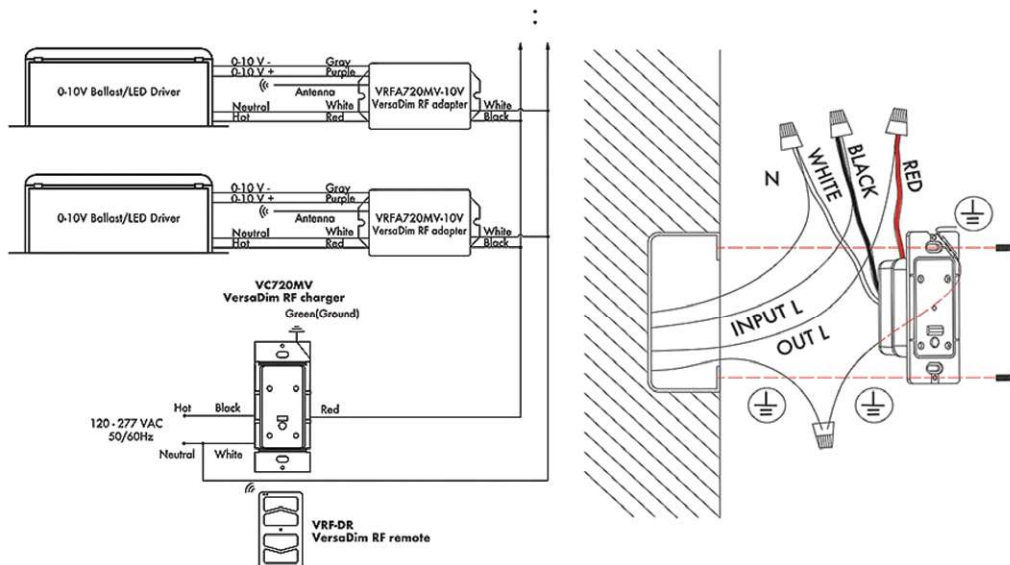
### OPERATION

versaDim RF control system charger VC720MV wireless charges versaDim RF remote and relay on/off control to LED power supply.

### ELECTRICAL RATING

Model No.	Input Voltage (V)	Input Current Max	Input Wattage Max	Charging (Output)
versaDim Charger & Remote				
VC720MV versaDim RF Charger	120V AC, 50-60Hz, 277V AC, 50-60Hz, Electronic ballast LED driver	6A on 120V and 3A on 277V Electronic ballast LED driver	0.4W Electronic ballast LED driver	5VDC, 60mA
VRF-DR versaDim RF remote	5VDC	60mA		

### WIRING DIAGRAM



# Controls

## versaDim RF ADAPTER



## FEATURES AND BENEFITS

- Dual Channel for Dimming
- Wall mount wireless charger
- Adapter to convert current fixtures to RF
- Dual channel drivers for new fixtures
- Dimmable Type B lamps
- Universal 120-277V input
- Capable of zoning control
- Emergency switch
- Highly secure system
- UL certified

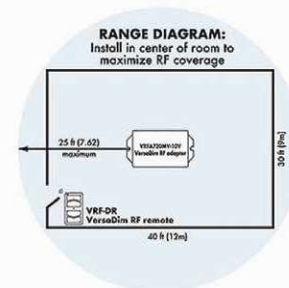
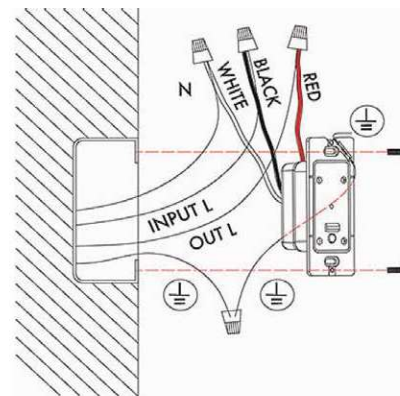
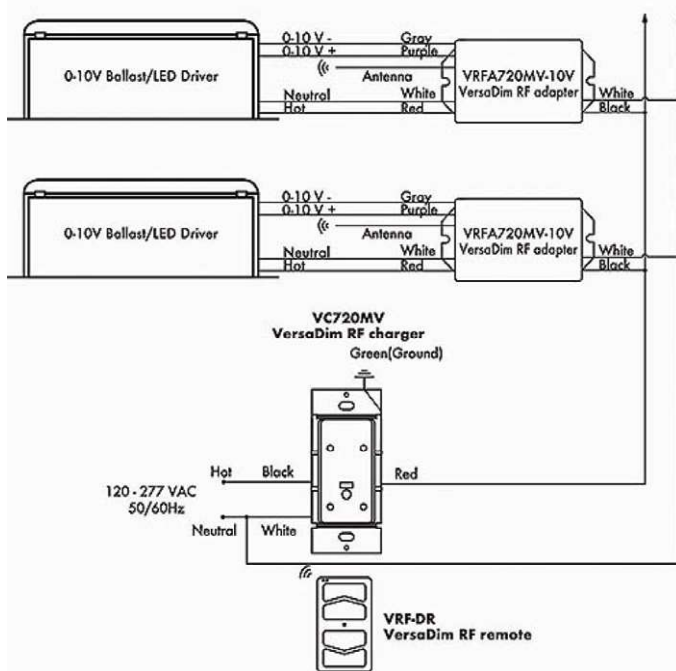
## OPERATION

versaDim RF control system charger VC720MV wireless charges versaDim RF remote and relay on/off control to LED power supply.

## ELECTRICAL RATING

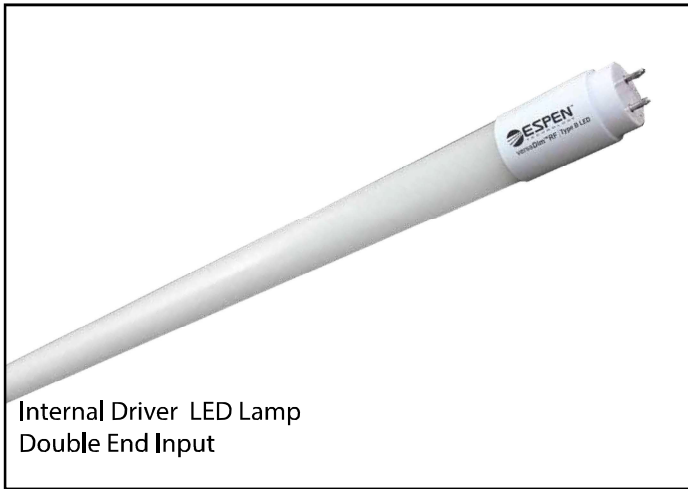
Model No.	Input Voltage (V)	Input Current Max	Input Wattage Max	Charging (Output)
versaDim RF Adapter				
VRFA720MV-10V versaDim RF adapter	120V AC, 50-60Hz 277 AC, 50-60Hz Electronic ballast LED driver	6A 3A Electronic ballast LED driver	0.4W Electronic ballast LED driver	5VDC, 60mA

## WIRING DIAGRAM



# Controls

## versaDim RF | Type B LED



Internal Driver LED Lamp  
Double End Input



## FEATURES AND BENEFITS

- versaDim RF Remote Control
- Internal Driver
- Smooth, Consistent Light
- UL for Safety
- No UV, No Mercury
- Long Life
- High CRI
- Instant on, no delay or warm up time
- Convenient and quick installation
- Input from Both Ends
- Utilizes shunted or unshunted G13 sockets
- Works in cold temperature applications
- High performance plastic series
- 5 Year Warranty
- Superior Wide View Angle

Model No.	Length	Base Type	Lamp Wattage	Input Voltage	CCT	Initial Lumens	CRI	Beam Angle	LPW	Power Factor	THD
<b>Flex DE T8 Lamp</b>											
L24T8/830/9P-ID DE RF	24	G13	9	120-277	3000K	1100	82	325	122	0.9	<20%
L24T8/835/9P-ID DE RF	24	G13	9	120-277	3500K	1100	82	325	122	0.9	<20%
L24T8/840/9P-ID DE RF	24	G13	9	120-277	4000K	1100	82	325	122	0.9	<20%
L24T8/850/9P-ID DE RF	24	G13	9	120-277	5000K	1100	82	325	122	0.9	<20%
L36T8/830/12P-ID DE RF	36	G13	12	120-277	3000K	1400	82	325	117	0.9	<20%
L36T8/835/12P-ID DE RF	36	G13	12	120-277	3500K	1400	82	325	117	0.9	<20%
L36T8/840/12P-ID DE RF	36	G13	12	120-277	4000K	1400	82	325	117	0.9	<20%
L36T8/850/12P-ID DE RF	36	G13	12	120-277	5000K	1400	82	325	117	0.9	<20%
L48T8/830/12P-ID DE RF	48	G13	12	120-277	3000K	1800	82	325	150	0.9	<20%
L48T8/835/12P-ID DE RF	48	G13	12	120-277	3500K	1800	82	325	150	0.9	<20%
L48T8/840/12P-ID DE RF	48	G13	12	120-277	4000K	1800	82	325	150	0.9	<20%
L48T8/850/12P-ID DE RF	48	G13	12	120-277	5000K	1800	82	325	150	0.9	<20%

### Ordering Information

EXAMPLE: L48T8/840/12P-ID DE RF

L	48	T8	8	40	12 P	-	ID	DE	RF
Manufacturer's Code	Normal Length 48 = 48"	Lamp Shape T8 = T8	CRI 8 => 80	CCT 50 = 5000K 40 = 4000K 35 = 3500K	Wattage 12P-12W		Internal Driver	Double End Input	versaDim RF Control System

CONTROLS

# Controls

versaDim RF I Type B LED

## WIRING DIAGRAM

